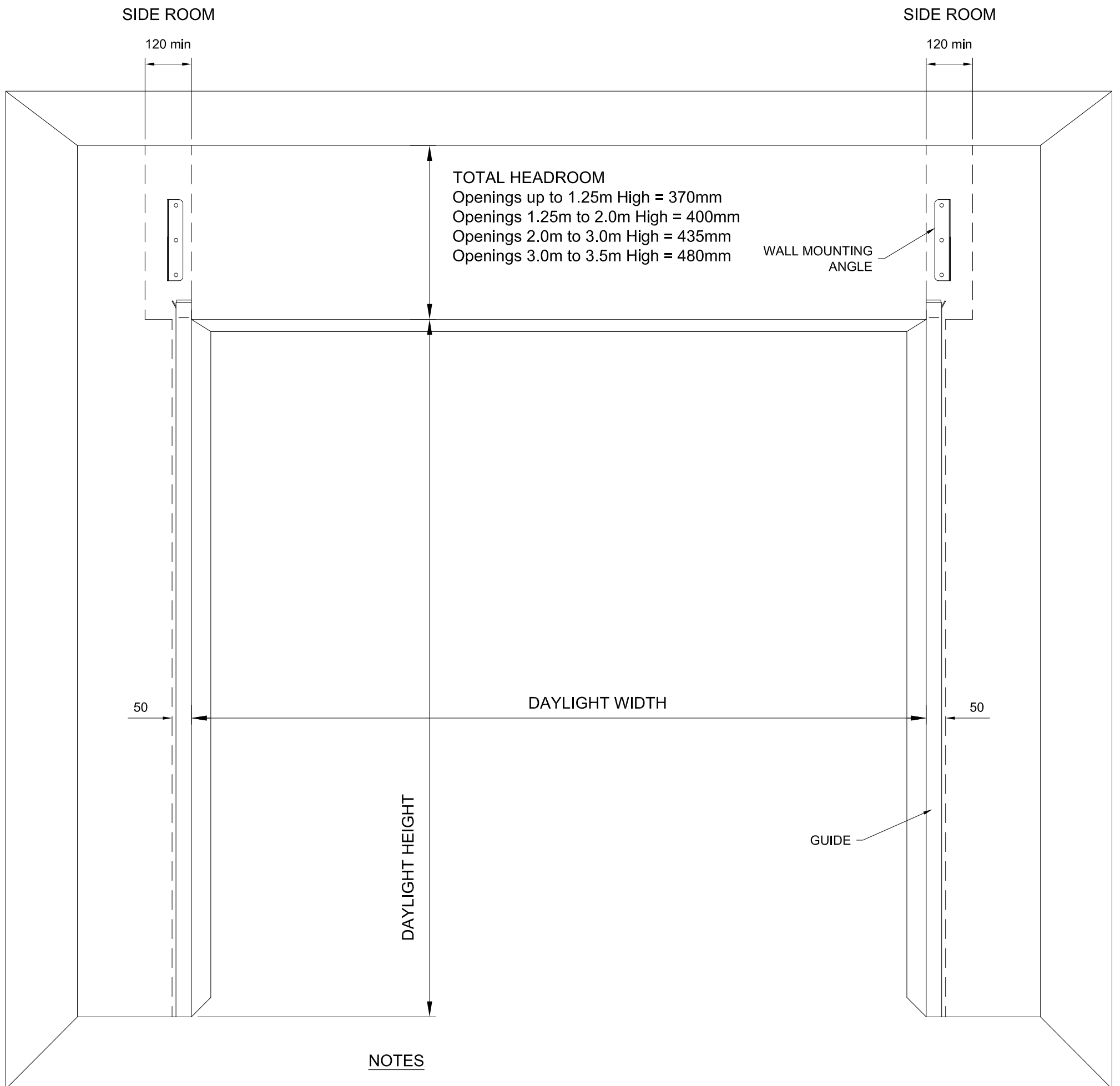


12mm TUBE ALUMINIUM GRILLE SPRING BALANCED

WALL CLEARANCE REQUIREMENTS

* FOR WALL STRUCTURE DETAILS & FIXINGS LAYOUT REFER TO SHEET A2



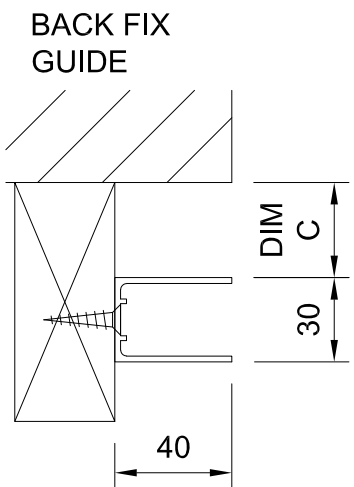
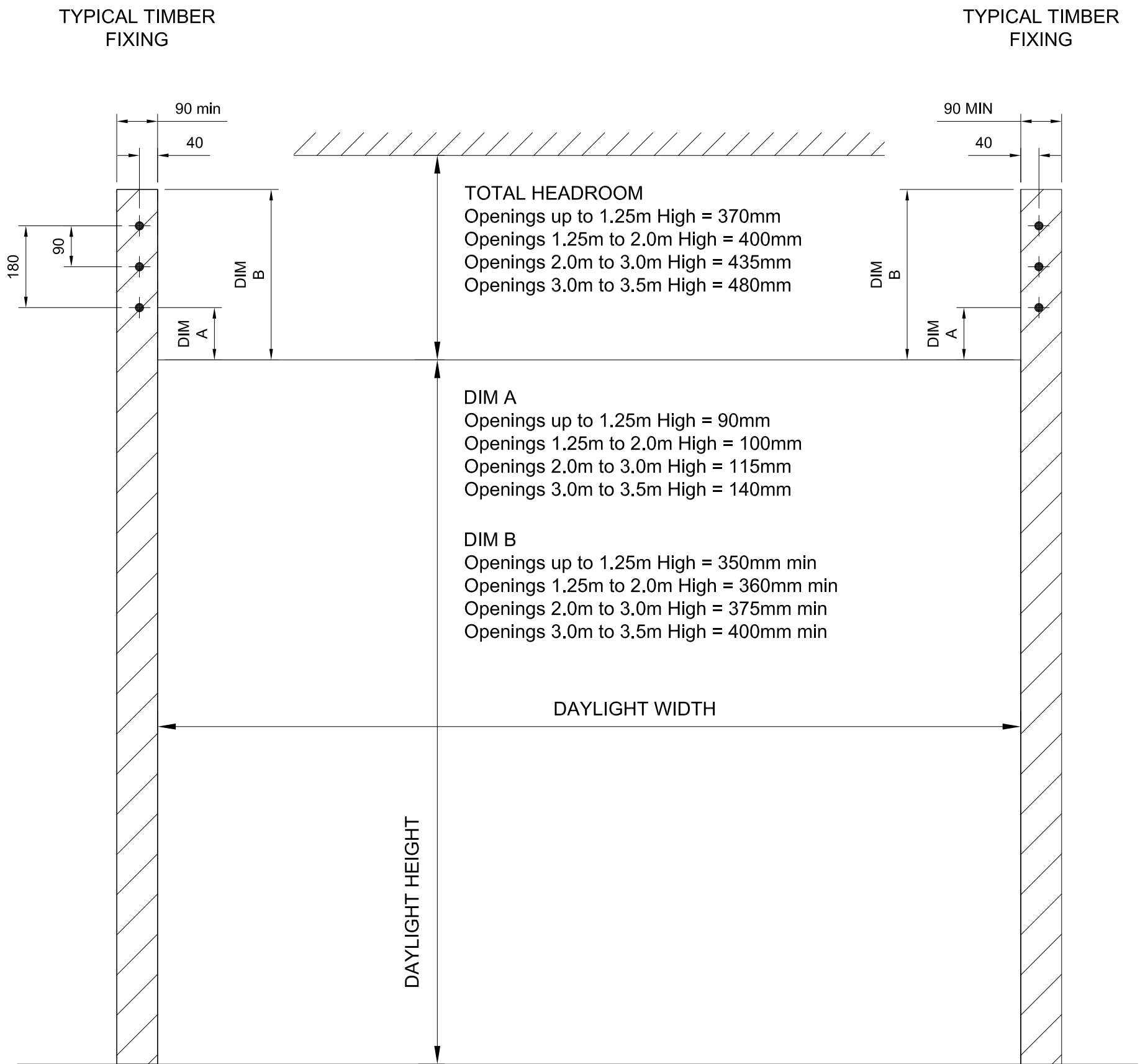
NOTES

- STANDARD LAYOUT SHOWN. REFER TO SALES FOR SPECIAL CLEARANCE OPTIONS
- REFER TO THE METALBILT DOORS SECURITY GRILLE & SHUTTER SELECTION CHART FOR MAXIMUM DOOR SIZES

12mm TUBE ALUMINIUM GRILLE SPRING BALANCED

WALL STRUCTURE DETAILS & FIXINGS LAYOUT

* FOR HEADROOM & SIDEROOM CLEARANCES REFER TO SHEET A1



DIM C
 Openings up to 2.0m High = Nil
 Openings 2.0m to 3.0m High = 40mm
 Openings 3.0m to 4.0m High = 50mm

NOTES

- BOLT CENTRES ARE THE SAME FOR BOTH SIDES OF THE DOOR
- STANDARD LAYOUT SHOWN. REFER TO SALES FOR SPECIAL CLEARANCE OPTIONS
- STRUCTURES SHOWN ARE INDICATIVE ONLY STRUCTURAL ENGINEERING TO BE CLIENTS CARE
- SEE METALBILT FOR ROLL FORMED JAMB RECOMMENDATIONS
- GUIDE FIXINGS REQUIRED UP TO LINTEL ONLY

