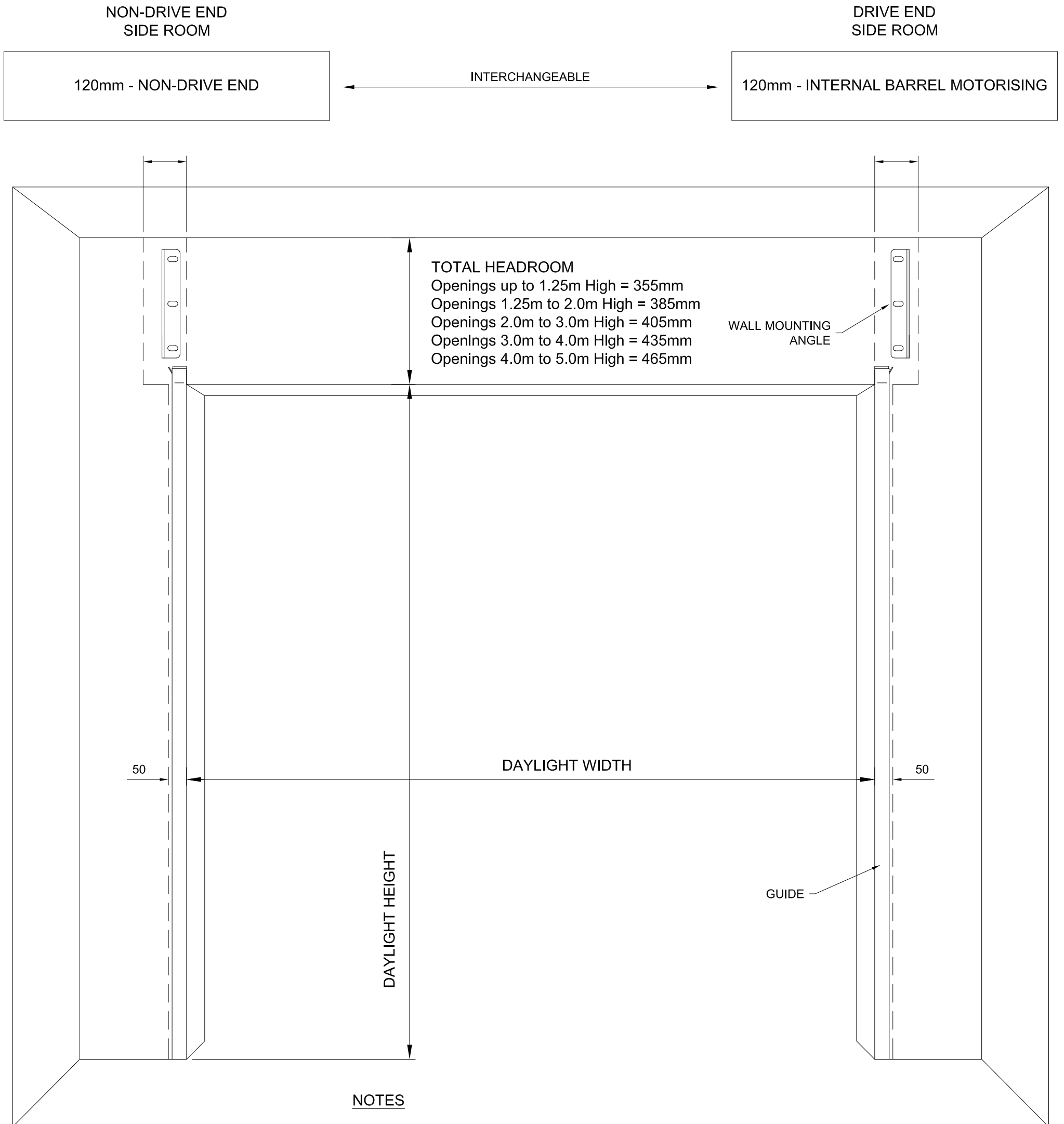


# CLEARSPAN & STANDARD ALUMINIUM SHUTTER INTERNAL BARREL MOTORISED

## WALL CLEARANCE REQUIREMENTS

\* FOR WALL STRUCTURE DETAILS & FIXINGS LAYOUT REFER TO SHEET A18



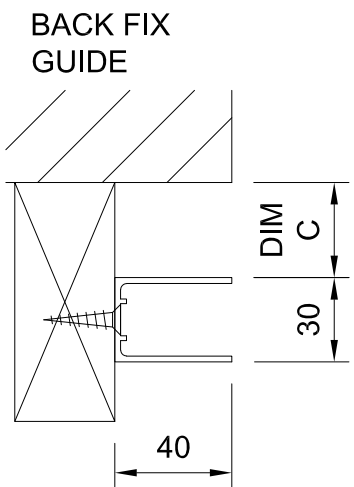
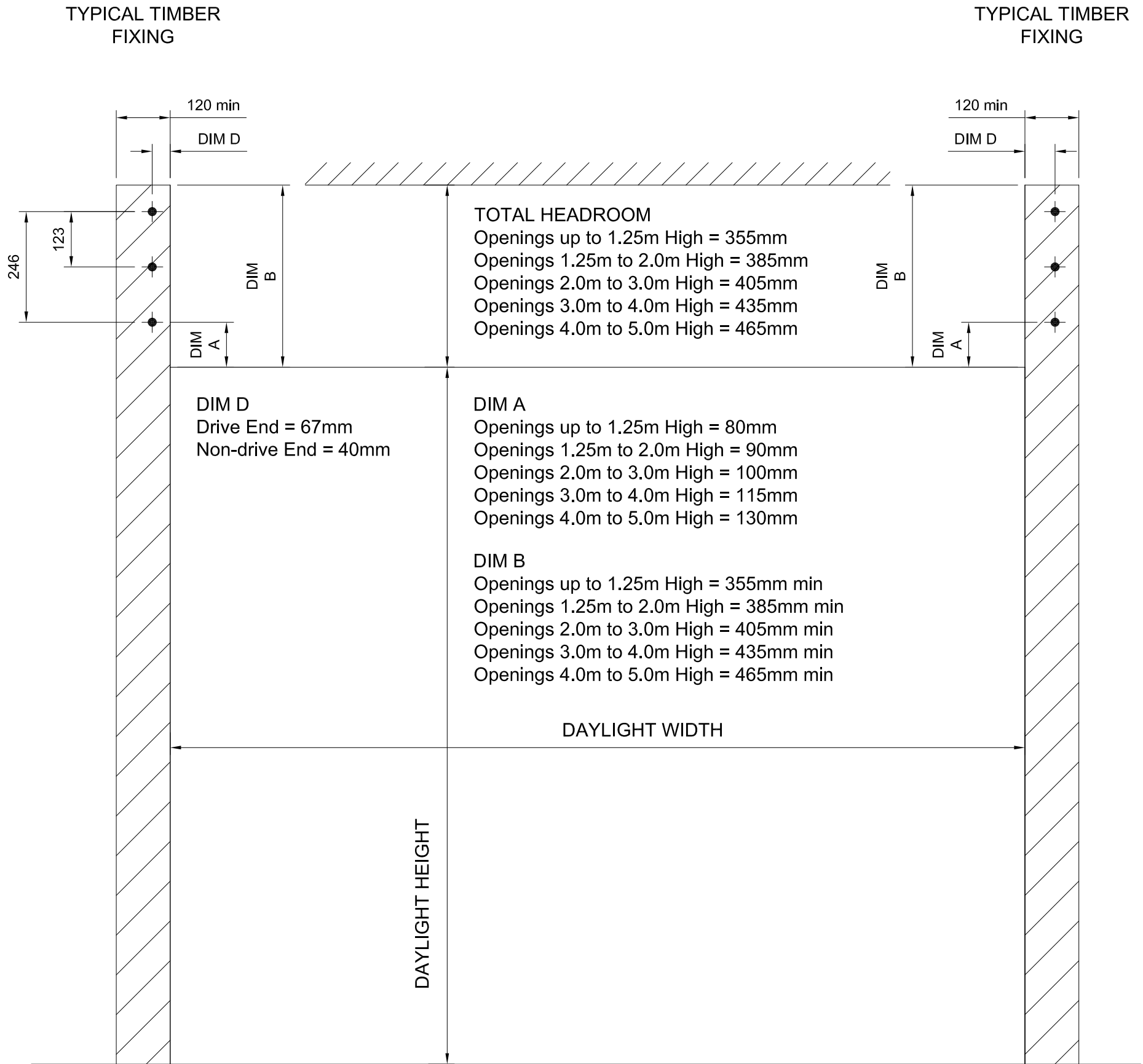
**NOTES**

- STANDARD LAYOUT SHOWN. REFER TO SALES FOR SPECIAL CLEARANCE OPTIONS
- REFER TO THE METALBILT DOORS SECURITY GRILLE & SHUTTER SELECTION CHART FOR MAXIMUM DOOR SIZES

# CLEARSPAN & STANDARD ALUMINIUM SHUTTER INTERNAL BARREL MOTORISED

## WALL STRUCTURE DETAILS & FIXINGS LAYOUT

\* FOR HEADROOM & SIDEROOM CLEARANCES REFER TO SHEET A17



**DIM C**  
 Openings up to 2.0m High = Nil  
 Openings 2.0m to 3.0m High = 40mm  
 Openings 3.0m to 4.0m High = 50mm

**NOTES**

- STANDARD LAYOUT SHOWN. REFER TO SALES FOR SPECIAL CLEARANCE OPTIONS
- STRUCTURES SHOWN ARE INDICATIVE ONLY  
STRUCTURAL ENGINEERING TO BE CLIENTS CARE
- SEE METALBILT FOR ROLL FORMED JAMB RECOMMENDATIONS
- GUIDE FIXINGS REQUIRED UP TO LINTEL ONLY

