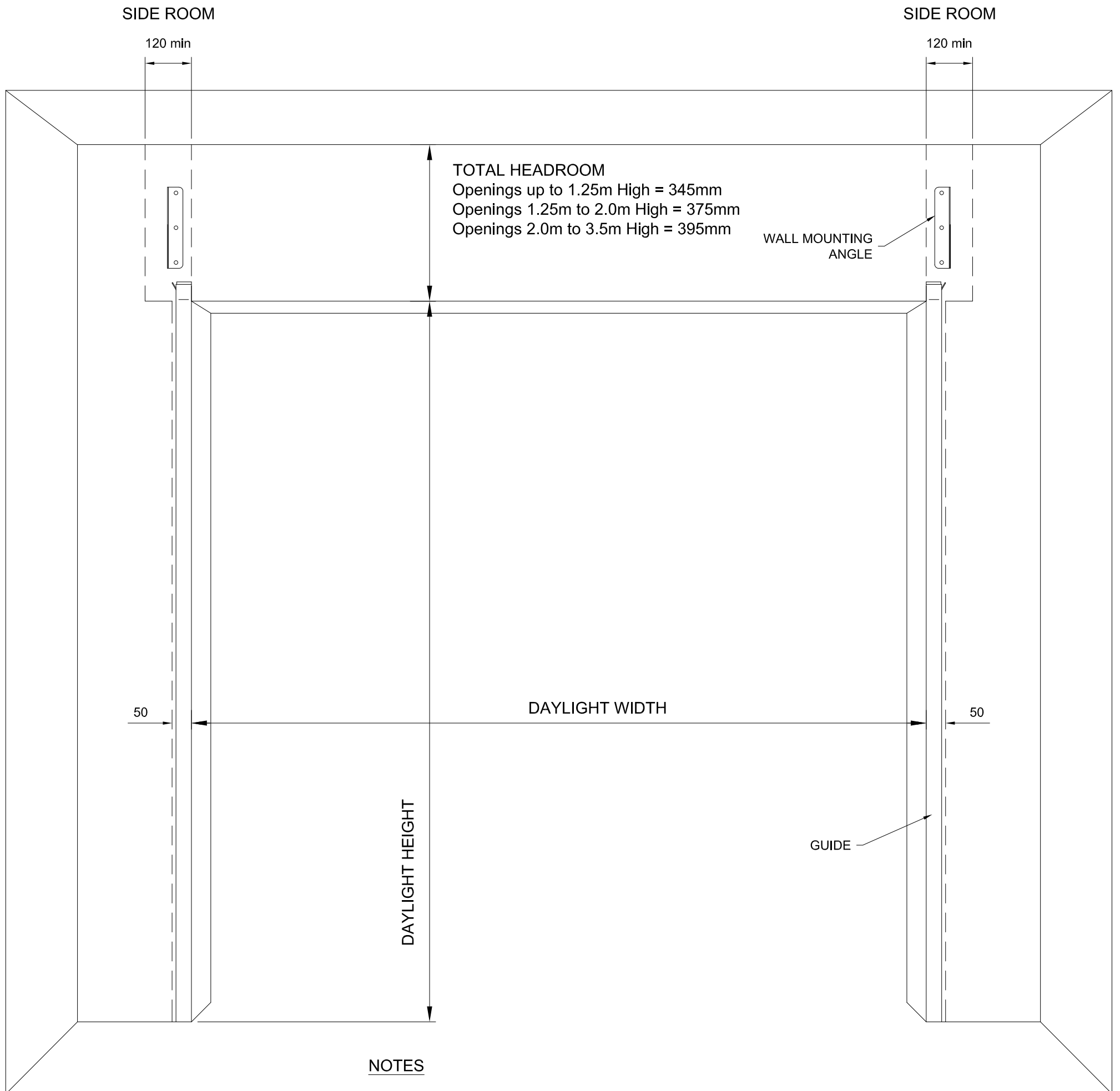


## WALL CLEARANCE REQUIREMENTS

\* FOR WALL STRUCTURE DETAILS & FIXINGS LAYOUT REFER TO SHEET A16



**NOTES**

- STANDARD LAYOUT SHOWN. REFER TO SALES FOR SPECIAL CLEARANCE OPTIONS
- REFER TO THE METALBILT DOORS SECURITY GRILLE & SHUTTER SELECTION CHART FOR MAXIMUM DOOR SIZES

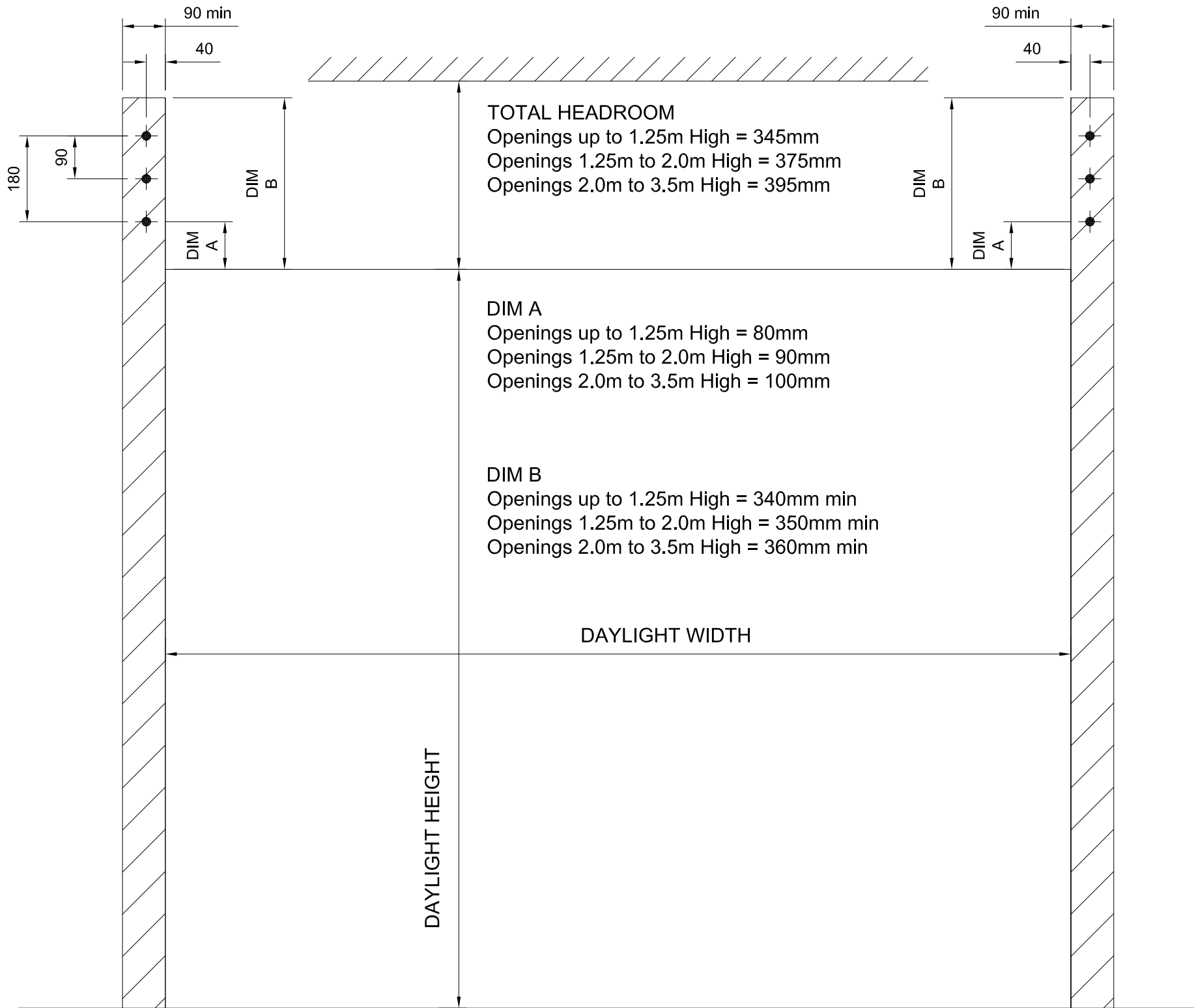
# CLEARSPAN & STANDARD ALUMINIUM SHUTTER SPRING BALANCED

## WALL STRUCTURE DETAILS & FIXINGS LAYOUT

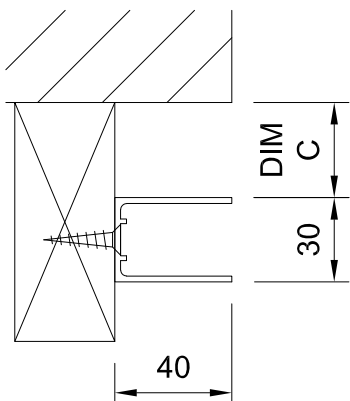
\* FOR HEADROOM & SIDEROOM CLEARANCES REFER TO SHEET A15

TYPICAL TIMBER  
FIXING

TYPICAL TIMBER  
FIXING



BACK FIX  
GUIDE



DIM C

Openings up to 2.0m High = Nil  
 Openings 2.0m to 3.0m High = 40mm  
 Openings 3.0m to 4.0m High = 50mm

**NOTES**

- BOLT CENTRES ARE THE SAME FOR BOTH SIDES OF THE DOOR
- STANDARD LAYOUT SHOWN. REFER TO SALES FOR SPECIAL CLEARANCE OPTIONS
- STRUCTURES SHOWN ARE INDICATIVE ONLY STRUCTURAL ENGINEERING TO BE CLIENTS CARE
- SEE METALBILT FOR ROLL FORMED JAMB RECOMMENDATIONS
- GUIDE FIXINGS REQUIRED UP TO LINTEL ONLY

TIMBER PACKERS SUPPLIED AND FITTED BY OTHERS

FACE FIX  
GUIDE

