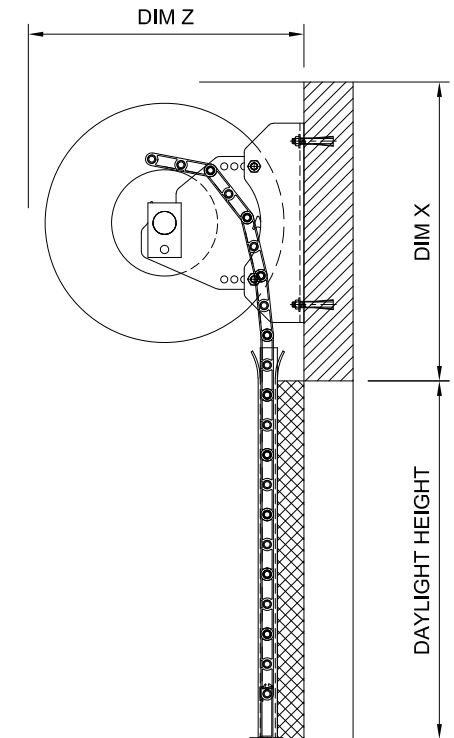


DOOR HEIGHT (m)	HEADROOM (DIM X)	INSIDE PROJECTION BARREL (DIM Z)	GUIDE PACKER SIZE (DIM W)
0 - 1.25	380mm	330mm	0
1.25 - 2.0	410mm	380mm	0
2.0 - 3.0	450mm	415mm	40mm
3.0 - 4.0	500mm	450mm	50mm



12mm TUBE ALUMINIUM GRILLE
INTERNAL BARREL MOTORISING - GENERAL ARRANGEMENT



MATERIAL - FINISH	CODE No.	SCALE	DRG No.	ISS.
		DRAWN TS	05.05.14	
ISS. DATE BY		APPVD.	12mm_IBM	A