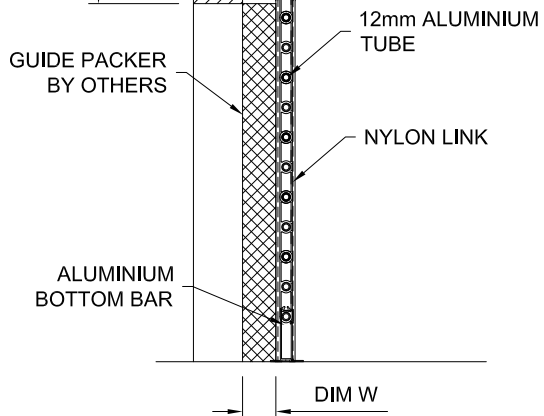
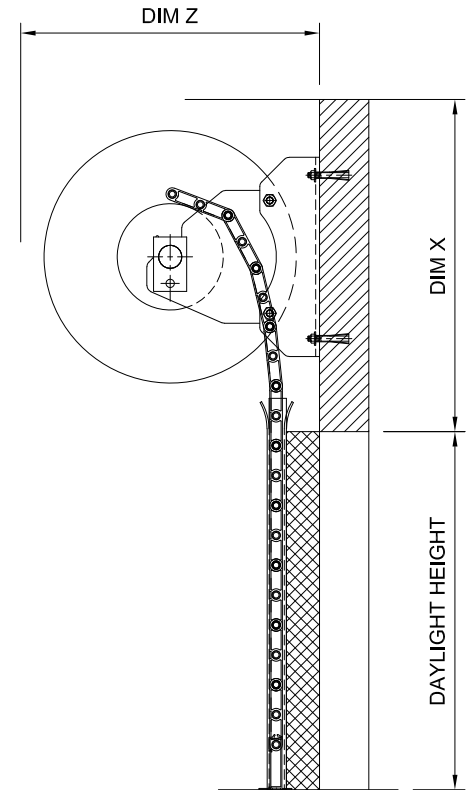
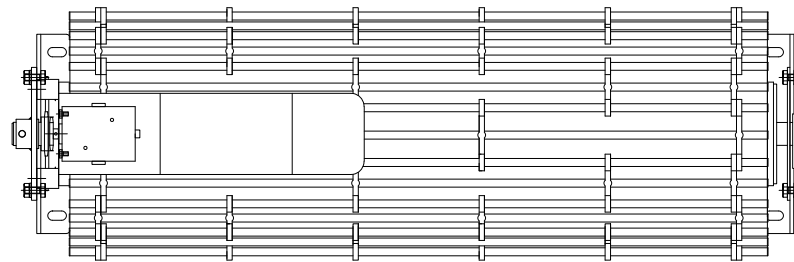
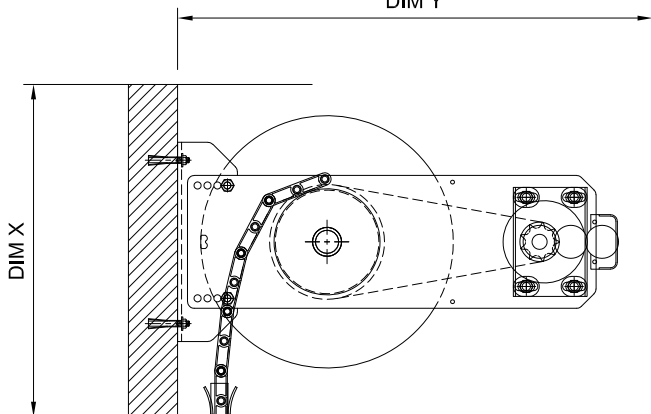


DIM Y



DRIVE END

LINTEL

DOOR HEIGHT (m)	HEADROOM (DIM X)	INSIDE PROJECTION MOTOR (DIM Y)	INSIDE PROJECTION BARREL (DIM Z)	GUIDE PACKER SIZE (DIM W)
0 - 1.25	380mm	605mm	330mm	0
1.25 - 2.0	410mm	635mm	380mm	0
2.0 - 3.0	450mm	650mm	415mm	40mm
3.0 - 4.0	500mm	715mm	450mm	50mm

NON DRIVE END

12mm TUBE ALUMINIUM GRILLE
LCM MOTORISING - GENERAL ASSEMBLY



ISS.	DATE	BY
------	------	----

MATERIAL - FINISH	CODE No.	SCALE	ISS.
		TS	23.04.13
		APPVD.	
DRG No.			ISS.
12mm_LCM			A